



# L29

1U Liquid Cooler

**PRODUCT SPECIFICATIONS**

# Table of Contents

- 1. PRODUCT DESCRIPTION ..... 2
- 2. THERMAL PERFORMANCE CURVE..... 4
- 3. ASSEMBLY DRAWING ..... 5
- 4. FAN SPECIFICATION ..... 8

## Model Number: L29

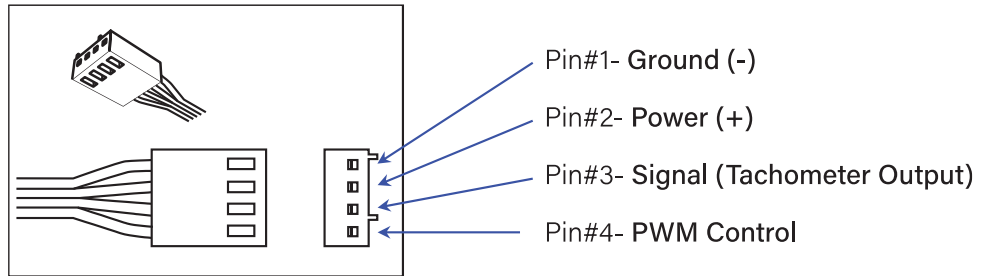
- Server Liquid Cooling Solution Recommended for AMD® Ryzen Threadripper Processor, Socket sWRX8, sTRX4, TR4, and AMD® Epyc Processor Socket SP3
- For 1U Server and up

## Overall Specification

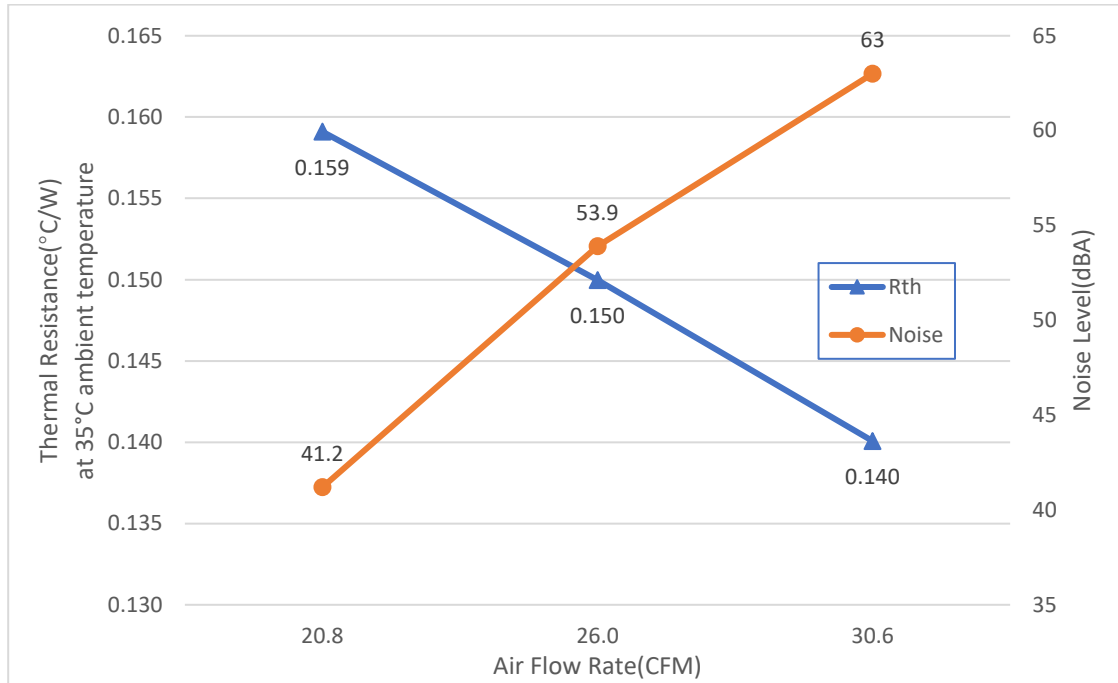
- Cold Plate Module with Copper base
- Space-saving lightweight Radiator
- 4cm Cooling Fans with 4-Pin PWM Function
- Stand-alone Water Pump with Powerful Flow Rate 1.7 Litter Per Minute
- EPDM Hoses Assembled
- Mounting Accessories are included
- Shin-Etsu 7762 or Equivalent Thermal Compound Pre-Printed on Base
- Support CPU Overclocking Power Mode up to 280 Watts Heat Dissipation at 35°C or lower ambient temperature

## Fan Specification

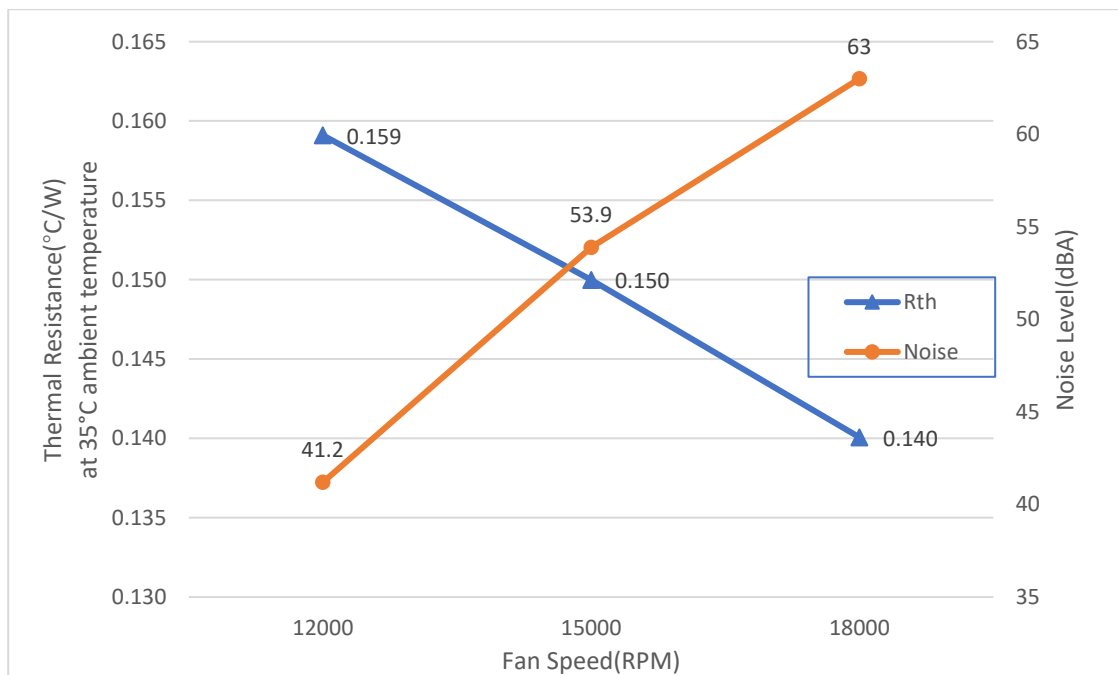
Model Number	DF124028BU - PWM
Dimension	40 x 40 x 28 mm
Bearing	Double Ball
Rated Voltage	12V
Rated Speed	At Duty Cycle 0~20%: 2000 ± 10% RPM At Duty Cycle 50%: 10000 ± 10% RPM At Duty Cycle 100%: 18000 ±10% RPM
Input Power	At Duty Cycle 0~20%: 2.40 W At Duty Cycle 50%: 7.20 W At Duty Cycle 100%: 15.60 W
Maximum Airflow	At Duty Cycle 0~20%: 2.944 CFM At Duty Cycle 50%: 14.72 CFM At Duty Cycle 100%: 30.6 CFM
Rated Static Pressure	At Duty Cycle 0~20%: 0.61 mm-H2O At Duty Cycle 50%: 15.12 mm-H2O At Duty Cycle 100%: 49.0 mm-H2O
Acoustical Noise	At Duty Cycle 0~20%: 16.00 dBA At Duty Cycle 50%: 44.24 dBA At Duty Cycle 100%: 57.00 dBA

**Lead Wire Pin Out  
Diagram**

## L29 Thermal Performance Curve Cooling Performance vs. Airflow



## Cooling Performance vs. Fan Speed

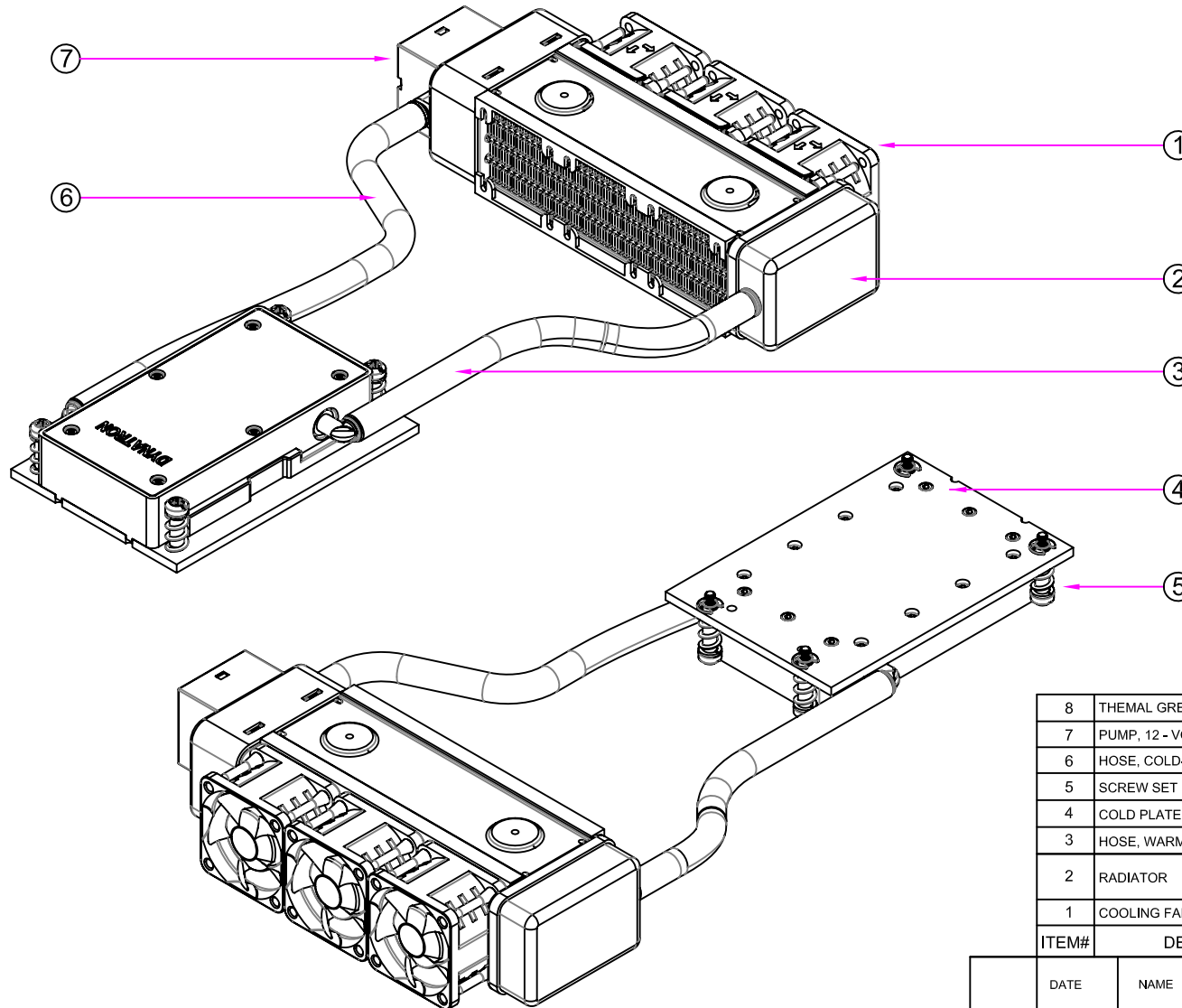


**CONFIDENTIAL DOCUMENT**

THIS DRAWING CONTAINS INFORMATION PROPRIETARY TO DYNATRON CORPORATION AND DYNAEON INDUSTRIAL CO., LTD. ANY REPRODUCTION, DISCLOSURE, OR USE OF THIS DRAWING IS EXPRESSLY PROHIBITED EXCEPT AS DYNATRON CORPORATION AND DYNAEON INDUSTRIAL CO., LTD. MAY OTHERWISE AGREE TO IN WRITING.

ASSEMBLY PARTS

REV#	DESCRIPTION	CHECKER	DATE
0.0	INITIAL RELEASE	LANG	11/21/2019
1.0	HOSE LENGTH CHANGE	LANG	12/13/2019
2.0	SPRING CHANGE WASHER CHANGE	JOY	10/14/20



ITEM#	DESCRIPTION	MATERIAL	QTY.
8	THEMAL GREASE, PRE-PRINTED	SHIN-ETSU 7762	1
7	PUMP, 12 - VOLT	PLASTIC	1
6	HOSE, COLD-SIDE, 350 mm L	EPDM	1
5	SCREW SET	STEEL / SUS304	4
4	COLD PLATE	SEE PAGE 8	1
3	HOSE, WARM-SIDE, 300 mm L	EPDM	1
2	RADIATOR	ALUMINUM ALLOY SEE PAGE 7	1
1	COOLING FAN, DF124028BU -PWM, 18000RPM	PLASTIC	3

**NOTES:**

1. THE FIGURE IS FOR REFERENCE ONLY, AND NOT FOR SCALE

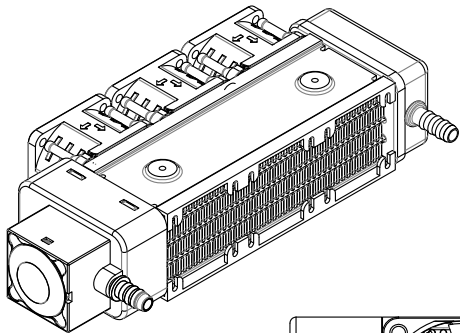
DATE	NAME	 <b>DYNATRON CORPORATION</b>	
DRAWN	12/13/2019		Engr
CHECKED	10/14/2020		JOY
ENG. APPR.			
MFG. APPR.			
Q.A.			
COMMENTS:			
DWG. No:		<b>DYN-EP-L29</b>	
REV		<b>1.0</b>	

**Liquid Cooler Model L29  
BOM & Assembly Drawing**

1 2 3 4 5 6 7

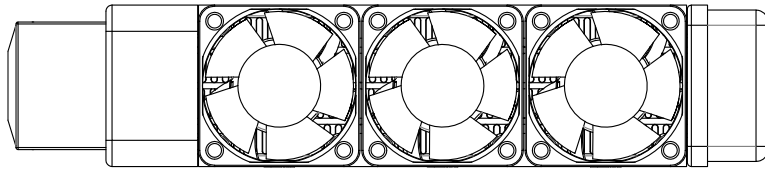
REV#	DESCRIPTION	CHECKER	DATE
0.0	INITIAL RELEASE	LANG	11/22/2019

A



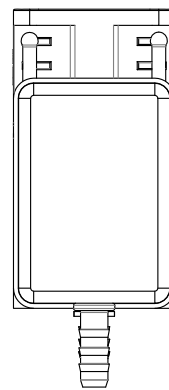
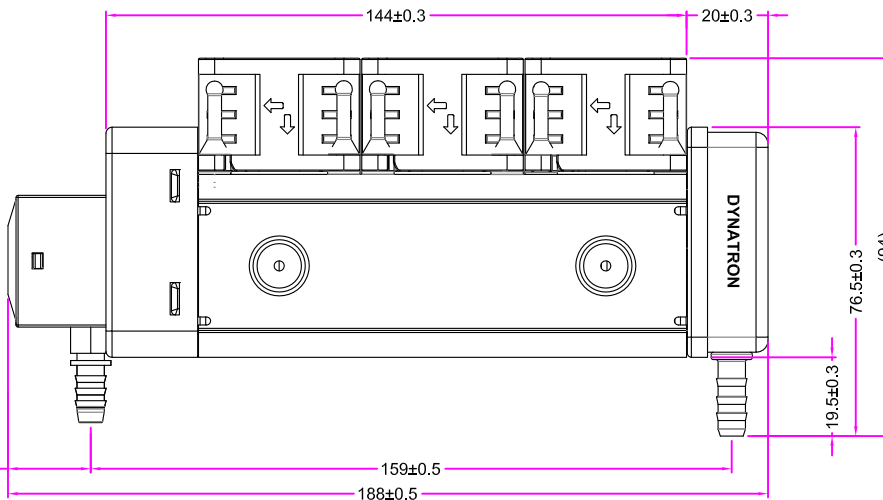
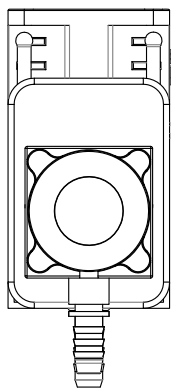
A

B



B

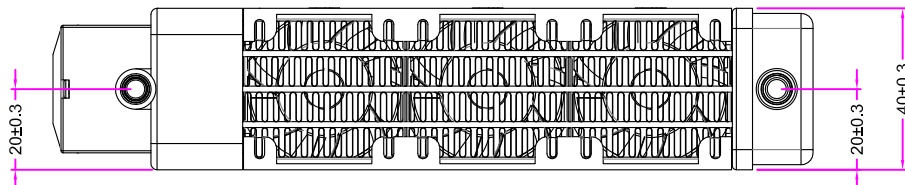
C



C

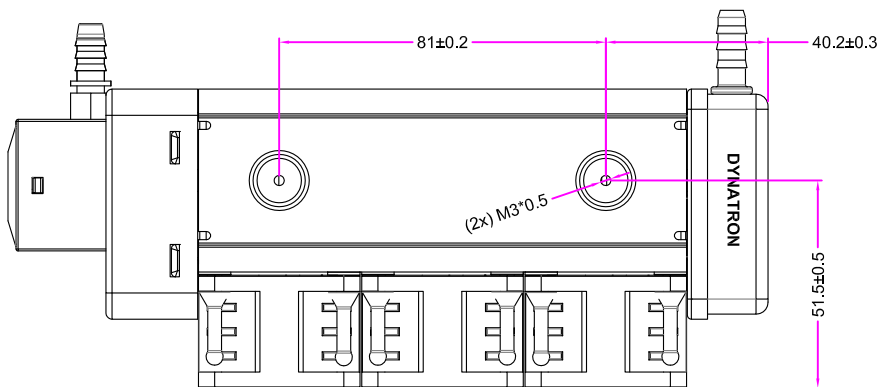
D

E



E

F



F

G

	NAME	DATE
DRAWN BY	ENGR	11/22/19
CHECKED BY	LANG	11/22/19
ENG. APPROVED		
MFG. APPROVED	-	-



DYNATRON CORPORATION

TOP MOTOR

TITLE: 1U Server Liquid Cooler Condenser  
Overall Dimension Drawing

**CONFIDENTIAL DOCUMENT**

THIS DRAWING CONTAINS INFORMATION PROPRIETARY TO DYNATRON CORPORATION AND DYNAEON INDUSTRIAL CO., LTD. ANY REPRODUCTION, DISCLOSURE, OR USE OF THIS DRAWING IS EXPRESSLY PROHIBITED EXCEPT AS DYNATRON CORPORATION AND DYNAEON INDUSTRIAL CO., LTD. MAY OTHERWISE AGREE TO IN WRITING.

VIEW		DWG. No:	REV.
UNITS	MM		0.0

H

1 2 3 4 5 6 7

REV#	DESCRIPTION	CHECKER	DATE
0.0	INITIAL RELEASE	LANG	11/22/19
1.0	SPRING CHANGE WASHER CHANGE	JOY	10/14/20

A

A

B

B

C

C

D

D

E

E

F

F

G

G

H

H

1

2

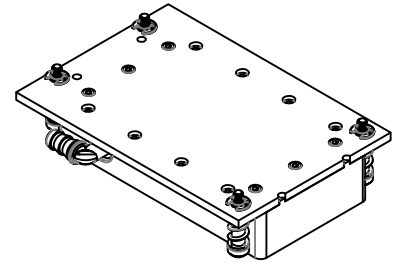
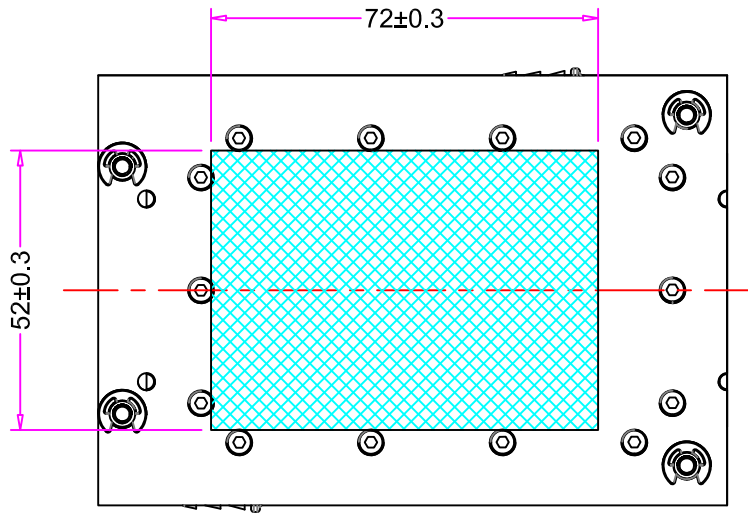
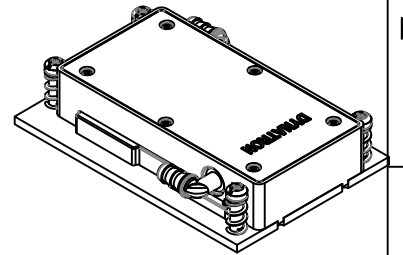
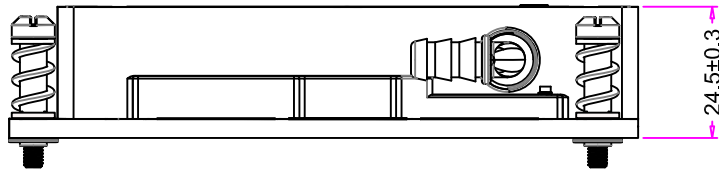
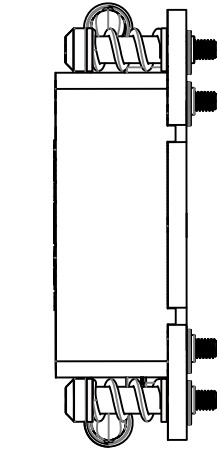
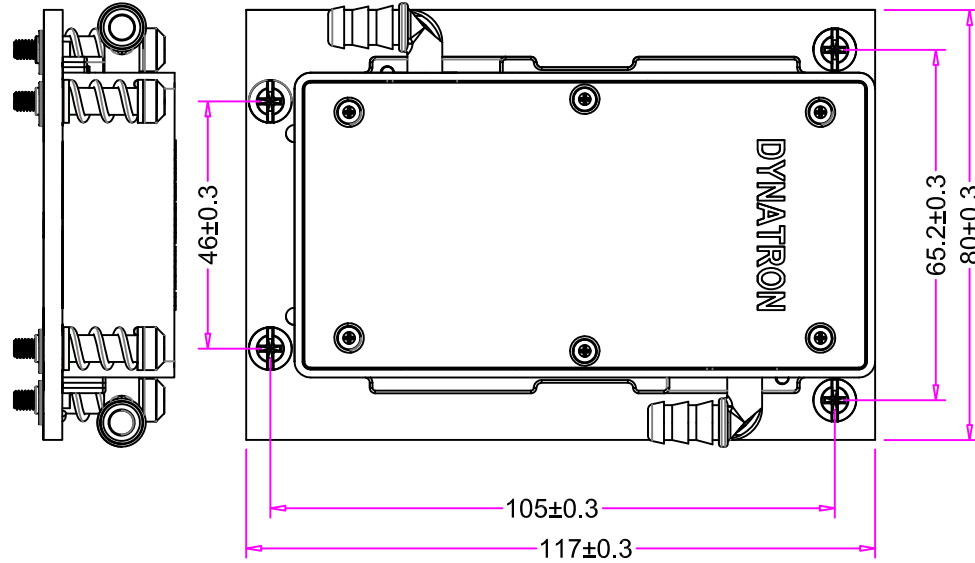
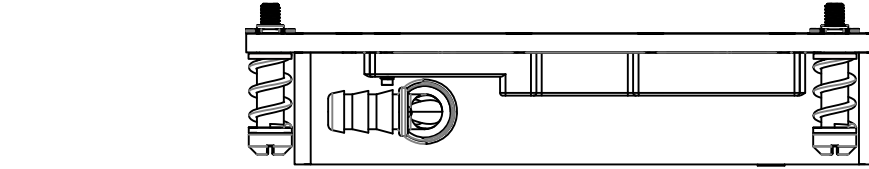
3

4

5

6

7



9	THERMAL GREASE, PRE-APPLIED	SHIN-ETSU 7762	1
8	C-CLIP	STEEL	4
7	WASHER	STEEL	8
6	SPRING	SUS304	4
5	SCREW, COLD PLATE MOUNTING	STEEL	4
4	SCREW, ENCLOSURE MOUNTING	STEEL	14
3	HOSE FITTING	PPS	2
2	COLD PLATE ENCLOSURE	PPS	1
1	COLD PLATE BASE	COPPER 1100	1
ITEM#	DESCRIPTION	MATERIAL	QTY.

	NAME	DATE
DRAWN BY	Engr.	11/22/19
CHECKED BY	JOY	10/14/2020
ENG. APPROVED		
MFG. APPROVED	-	-



TOP MOTOR

DYNATRON CORPORATION

TITLE: Cold Plate, Liquid Cooler  
for AMD Socket SP3/TR3/TR4  
BOM & Overall Dimension Drawing

**CONFIDENTIAL DOCUMENT**

THIS DRAWING CONTAINS INFORMATION PROPRIETARY TO DYNATRON CORPORATION AND DYNAEON INDUSTRIAL CO., LTD. ANY REPRODUCTION, DISCLOSURE, OR USE OF THIS DRAWING IS EXPRESSLY PROHIBITED EXCEPT AS DYNATRON CORPORATION AND DYNAEON INDUSTRIAL CO., LTD. MAY OTHERWISE AGREE TO IN WRITING.

VIEW	
UNITS	MM

DWG. No:

DYN-BD-CP

REV.

0.0

1

2

3

4

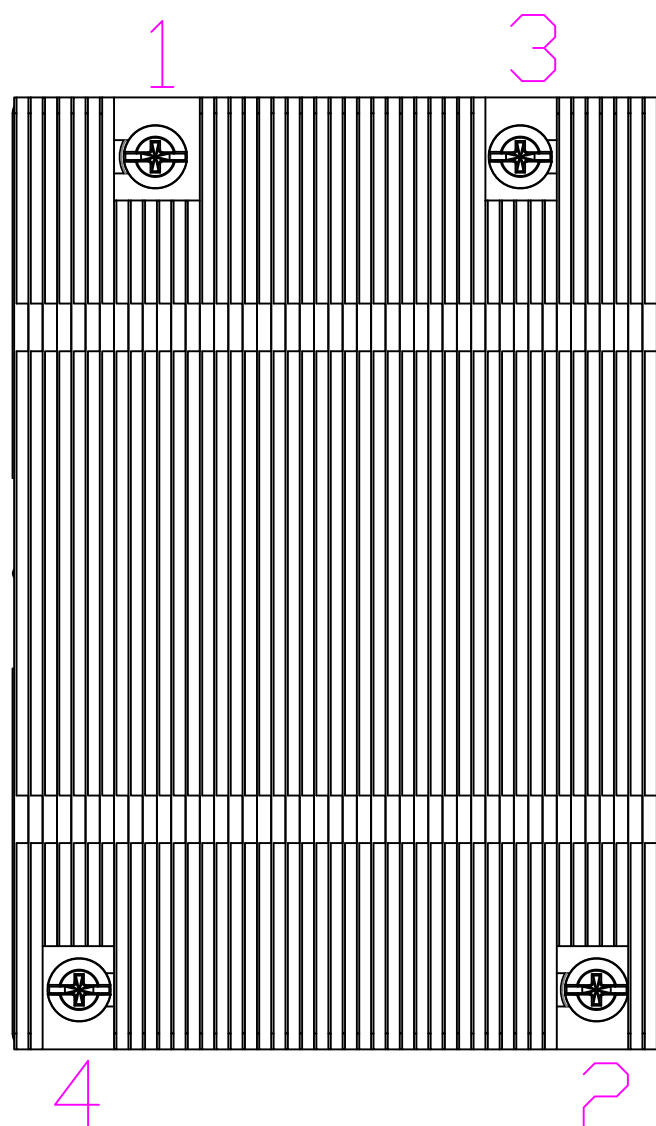
5

6

7



# SOCKET SP3/TR4/sTRX4/sWRX8 COOLER INSTALLATION INSTRUCTION



HEATSINK ASSEMBLY  
ORDER 1,2,3,4

HEATSINK DISASSEMBLY  
ORDER 4,3,2,1

TORQUE = 6.1 KG -CM MAX

ALL SCREWS SHOULD BE  
TIGHTENED/RELEASED EVENLY, AVOIDING  
TIGHTENING/RELEASING ANY SCREWS TO THE  
BOTTOM/TOP AT ONCE